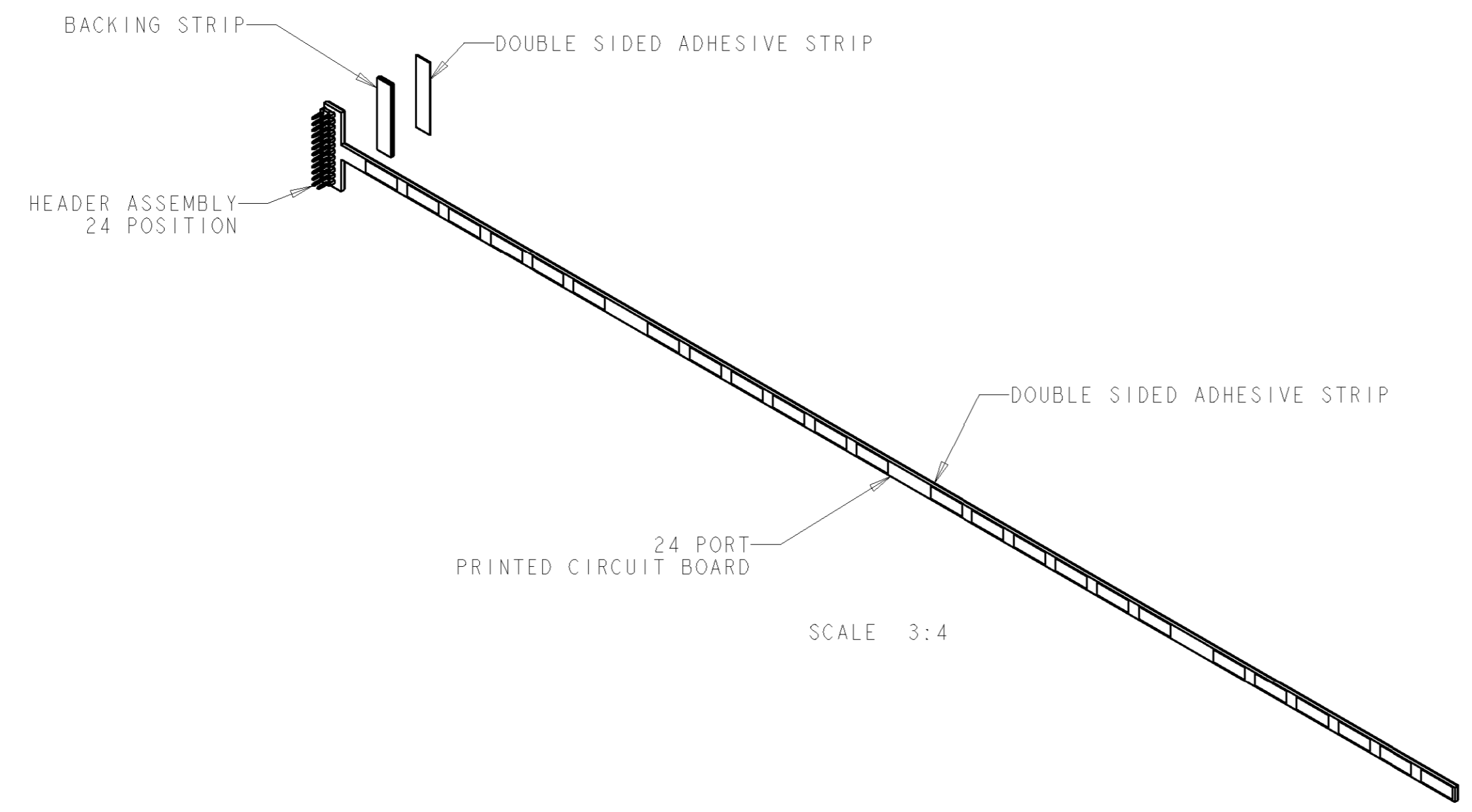
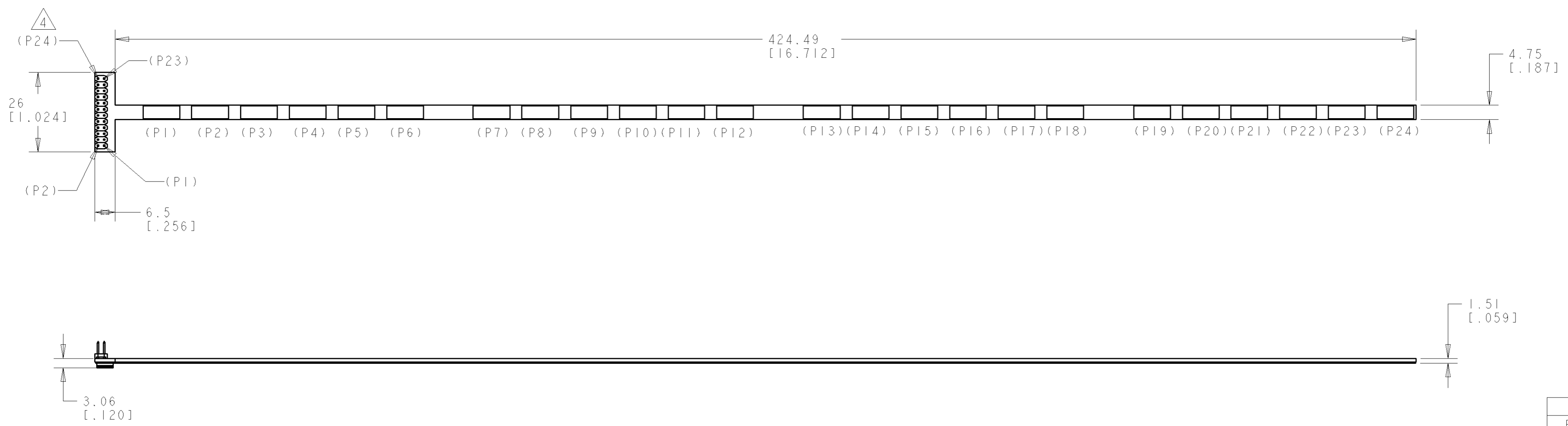


THIS DRAWING IS UNPUBLISHED. RELEASED FOR PUBLICATION 20
 © COPYRIGHT 20 BY TYCO ELECTRONICS CORPORATION. ALL RIGHTS RESERVED.

LOC	DIST	REVISIONS					
HM	00	P	LTR	DESCRIPTION	DATE	DWN	APVD
		A		RLSD; NPR NSD07-098	28SEP2007	GG	SH



- 1 MATERIAL:
 PRINTED CIRCUIT BOARD - LAMINATED PLASTIC FR-4, 1.13 [.044] THICK.
 ADHESIVE TAPE - MYLAR, 0.25 [.010] THICK.
 BACKING STRIP ASSEMBLY - FR-4 WITH MYLAR, 1.17 [.046] THICK.
 HOUSING - THERMOPLASTIC, UL94V-0, BLACK.
 CONTACTS - COPPER ALLOY.
- 2 ALL DIMENSIONS SHOWN ARE NOMINAL.
- 3 PARENTHESIS () ARE FOR REFERENCE ONLY. NOT SHOWN ON BOARD.
- 4 (P_) CALLOUTS ARE FOR PIN TO PAD REFERENCE ONLY.



1933517-1
 PART NUMBER

THIS DRAWING IS A CONTROLLED DOCUMENT FOR TYCO ELECTRONICS CORPORATION. IT IS SUBJECT TO CHANGE AND THE CONTROLLING ENGINEERING ORGANIZATION SHOULD BE CONTACTED FOR THE LATEST REVISION.		DWN G. GARRETT 28SEP2007	Tyco Electronics Harrisburg, PA 17105-3608	
DIMENSIONS: MM [INCHES]		CHK S. HERNDON 28SEP2007	NAME AMPTRAC SENSOR, PCB, 24 PORT	
TOLERANCES UNLESS OTHERWISE SPECIFIED: 0 PLC ± 1 PLC ± 2 PLC ± 3 PLC ± 4 PLC ± ANGLES ± FINISH		APVD S. HERNDON 28SEP2007	PRODUCT SPEC - APPLICATION SPEC - WEIGHT -	
MATERIAL 1 -		CUSTOMER DRAWING	SIZE A2	RESTRICTED TO -
		CAGE CODE 00779	DRAWING NO. 1933517	
		SCALE 2:1	SHEET 1	REV A